

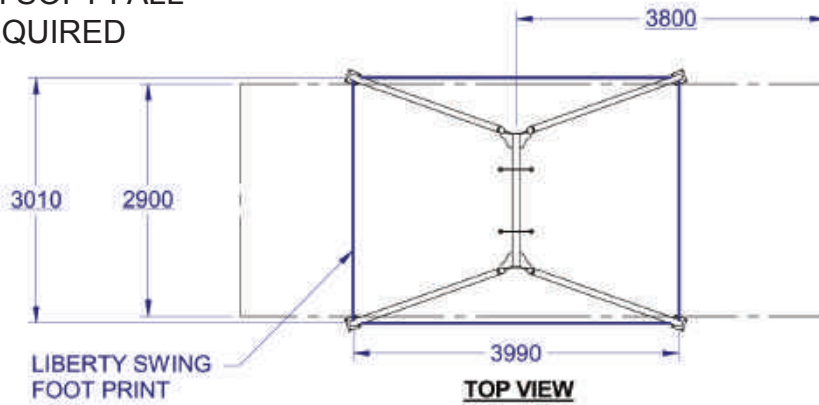
Liberty Swing

Technical Fact Sheet

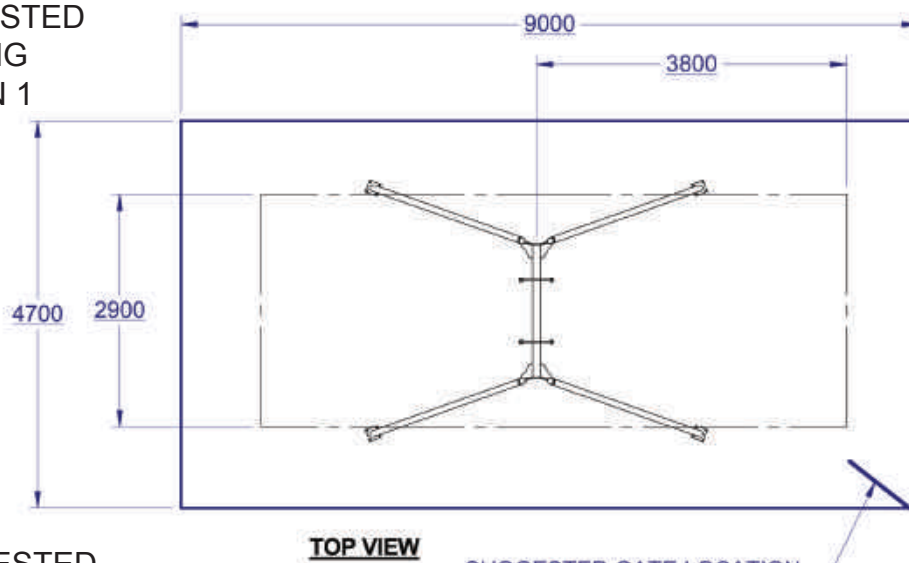
Swing measurements:	4.0 m long x 3.2 m wide; on/off device measures 1.2 m The Liberty Swing is 3.1 m at its highest point.
Minimum Fall Zone Dimensions	Approx 27 square metres Width: 2.9 m between support posts; Length: 3.8 m each side of crossbar (7.6m total)
Fall Zone/Height:	The manufacturer recommends a fall height of 1.8 m
Delivery:	Most deliveries within Australia are 4-6 weeks from date of order. The Liberty Swing is packaged for delivery and weighs approx 360 kg net; with packaging, 380 kg.
Swing Components/Locks:	<ul style="list-style-type: none">- Capsule with internal seat, on/off device lock, wheel locks, seat belt and seat belt anchor points, seat belt locking compartment- On/Off device with torsion rod- Top swing cross bar- Capsule support arms (4)- Post legs (4) and extensions (6)- MLA key (2)- Signage:<ul style="list-style-type: none">o Restricted areao How to Start/Finish Rideo Liberty Swing panels
Installation Instructions:	Full Manual is supplied on order of the Liberty Swing and includes: <ul style="list-style-type: none">- General assembly plan and side elevations- Installation instructions- Soft fall instructions- Components list- Suggested fence layout plan (Swing must be fenced with gate - see page 3)- Maintenance program- Technical fact sheet (Instruction Manual)
Australian Standards Compliance:	AS 1924 Part 1 General Requirements AS 1924 Part 2 Design and Construction Safety Aspects AS 2555 Guide to Siting, Installation and Maintenance AS/NZS 4422: 1996 and AS/NZS 4486 Part 1-1997
Fencing and Soft Fall	Not included
Manufacturer's warranty:	Jenway Industries offer a 5 year warranty with normal usage

Minimum softfall (dotted line) and suggested fencing layout options

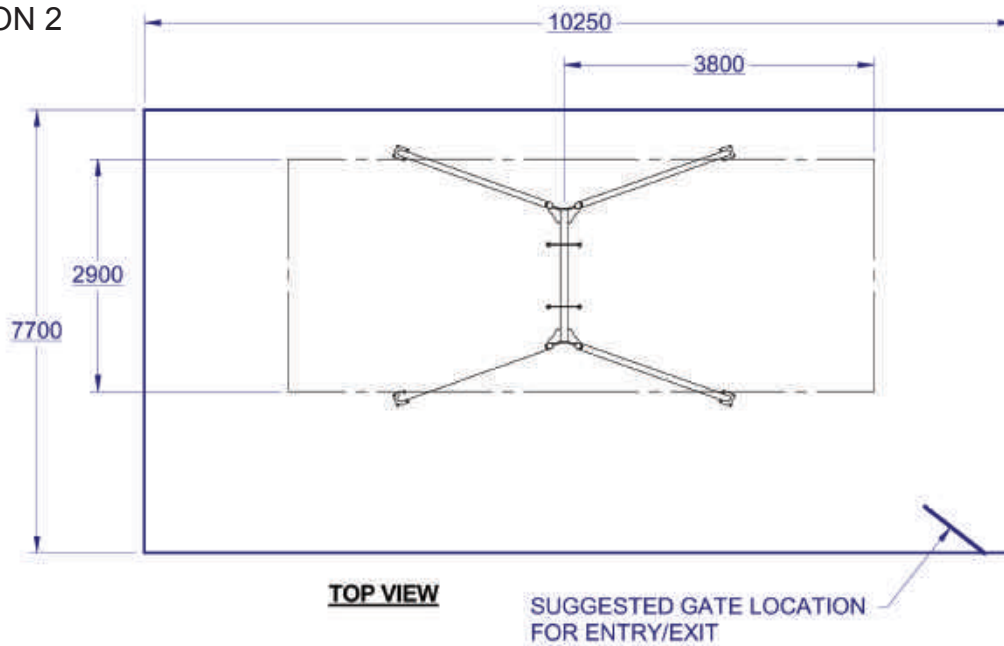
MINIMUM SOFT FALL
AREA REQUIRED



SUGGESTED
FENCING
OPTION 1



SUGGESTED
FENCING
OPTION 2



(Liberty Swing must be fenced)