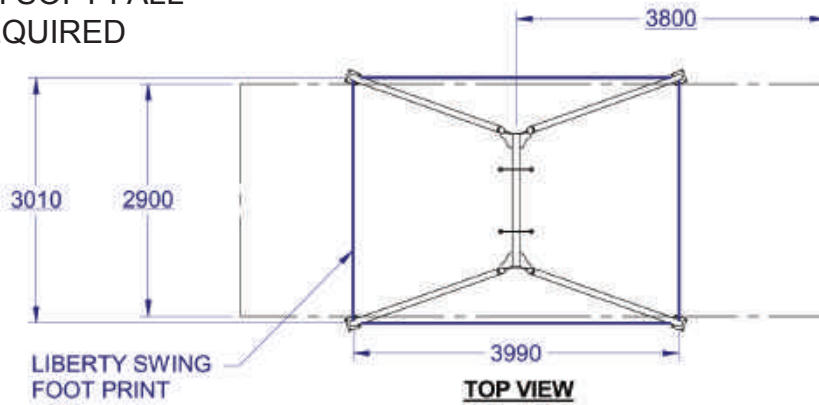
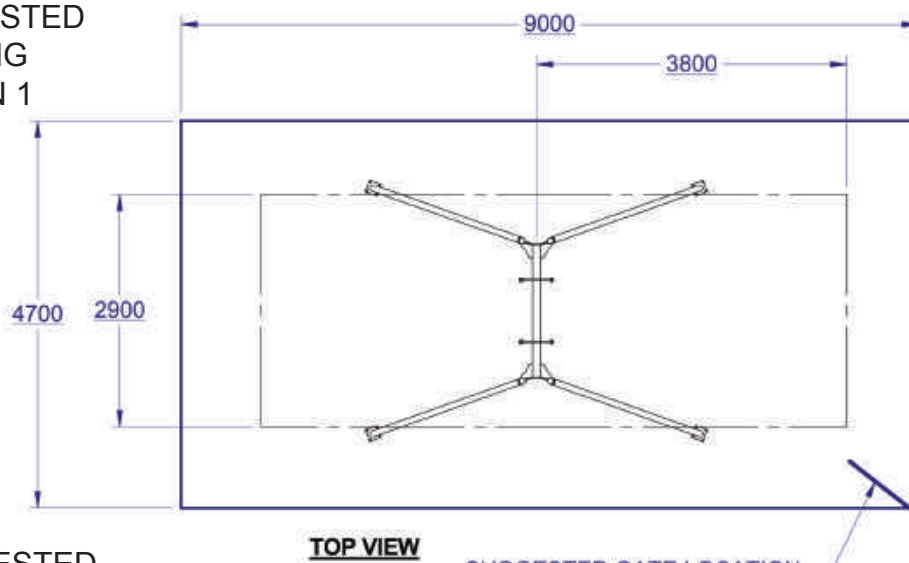


Minimum softfall (dotted line) and suggested fencing layout options

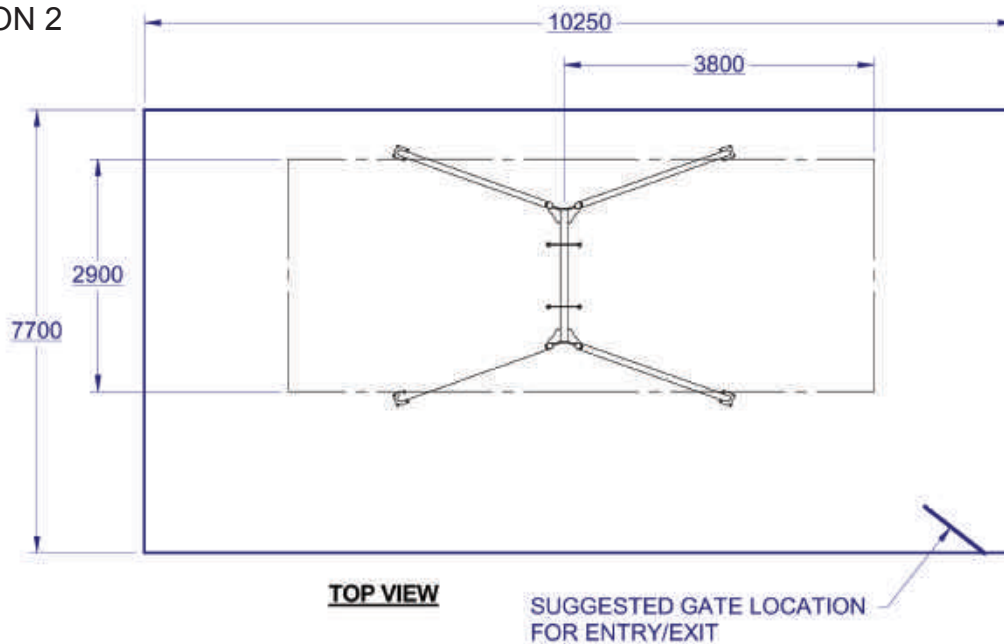
MINIMUM SOFT FALL
AREA REQUIRED



SUGGESTED
FENCING
OPTION 1



SUGGESTED
FENCING
OPTION 2



(Liberty Swing must be fenced)